

The Leader in Accurate, Reliable Synchronised Time.



Analogue Countdown Timers offer convenience and flexibility. Can be located anywhere applicable. 3 button switch control provides simplistic count-up/count-down functionality, and displays Month, Day, Date when not in timer mode.



Features:

- Solid, Durable Casing
- Polycarbonate and Glass Lens
- Easily Viewable LCD
- Displays Month, Date, Day
- Count-Up/Count-Down Modes
- Battery Operated (2 D-Cell)
- Automatically Adjusts for DST
- Maintenance Free

Dial Options



16" (40.64cm) Black Standard
Part # 220001LT - Battery



13" (33.02cm) Brushed Aluminium
Part # 510006LT - Battery



Standard Arabic 12/60 Part # SA60



Standard Military 12/24 Part # SM24

Additional Custom Logo Designs Available

13" (33.02cm) Brushed Aluminium Clock Specifications

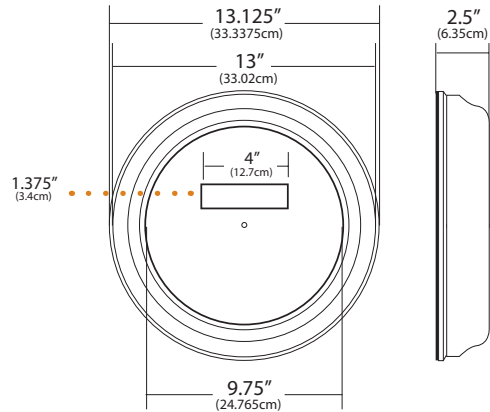
- Brushed Aluminium Cases
- Glass Lens
- Sophisticated Metallic Appearance
- Battery (2 D-Cell)

Rear Case Diameter: 13.125" (33.3375cm)

Front Case Diameter: 13" (33.02cm)

Dial Graphics Diameter: 9.75" (24.765cm)

Edge Thickness: 2.5" (6.35cm)



16" (40.64cm) Standard Clock Specifications

- Heavy Duty Construction
- Durable ABS Casing
- Polycarbonate Lens (shatter resistant)
- Battery (2 D-Cell)

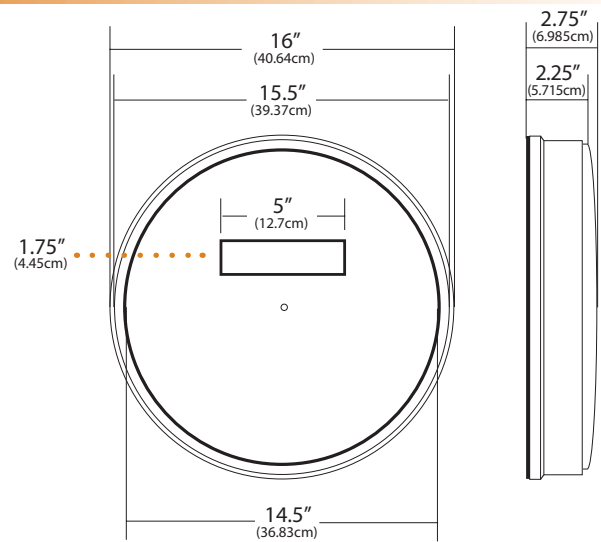
Rear Case Diameter: 16" (40.64cm)

Front Case Diameter: 15.5" (39.37cm)

Dial Graphics Diameter: 14.5" (36.83cm)

Edge Thickness: 2.25" (5.715cm)

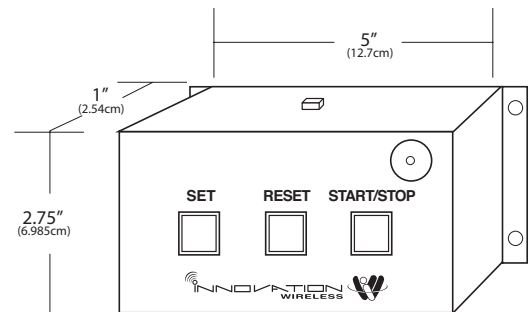
Center Thickness: 2.75" (6.985cm)



Switch Control Specifications

- 3 Button control
- Set, Start, or Stop Timer
- Count up/Count down
- Displays Month, Date, Day
- Metal Material
- LAN Cable connects Controller with Clock (*not included*)

Dimensions: 5" W x 2.75" H x 1" D (12.7cm W x 6.985cm H x 2.54cm D)



13" (33.02cm) and 16" (40.64cm) Rear View / Mount Specifications

