

Synchronised Time & Communication Systems



Add a sophisticated touch to your facility. Brushed Aluminium Clocks offer an upscale, high tech look that will enhance any décor.



Features:

- Brushed Aluminium Casing
- Glass Lens
- Sophisticated Metallic Appearance
- Battery (2 D-Cell) or Electric 240/24 VAC
- Automatically Adjusts for DST
- Maintenance Free

Clock Styles



16" (40.64cm) Double Sided Ceiling Mount

Part # 520016 - Battery
Part # 522016 - Electric (240 VAC)
Part # 521016 - Electric (24 VAC)



16" (40.64cm) Double Sided Wall Mount

Part # 520026 - Battery
Part # 522026 - Electric (240 VAC)
Part # 521026 - Electric (24 VAC)



13" (33.02cm) shown above

Part # 510016 - Battery
Part # 512006 - Electric (240 VAC)
Part # 511006 - Electric (24 VAC)



13" (33.02cm)

Part # 510006L - Battery



LCD Display
(Month, Date and Day)

16" (40.64cm)

Part # 510006 - Battery
Part # 522006 - Electric (240 VAC)
Part # 521006 - Electric (24 VAC)

Dial Options



Standard Arabic 12/60 **Part # SA60**



Classic Arabic **Part # CA00**



Standard Military 12/24 **Part # SM24**

Additional Custom Logo Designs Available

13" (33.02cm) Brushed Aluminium Clock Specifications

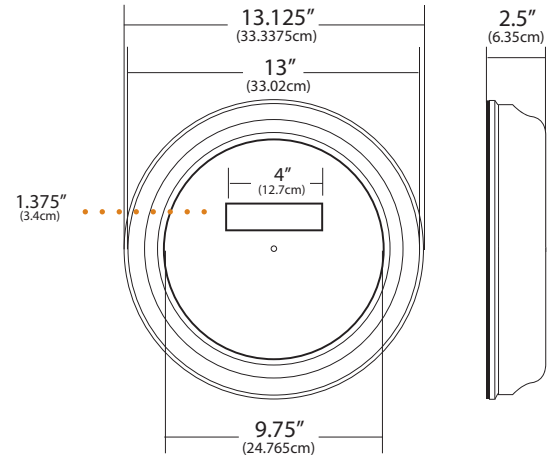
- Brushed Aluminium Cases
- Glass Lens
- Sophisticated Metallic Appearance
- Battery (2 D-Cell) or Electric 240/24 VAC
- Battery Life Expectancy - 5 years

Rear Case Diameter: 13.125" (33.3375cm)

Front Case Diameter: 13" (33.02cm)

Dial Graphics Diameter: 9.75" (24.765cm)

Edge Thickness: 2.5" (6.35cm)



16" (40.64cm) Brushed Aluminium Clock Specifications

- Brushed Aluminium Cases
- Glass Lens
- Sophisticated Metallic Appearance
- Battery (2 D-Cell) or Electric 240/24 VAC
- Battery Life Expectancy - 5 years

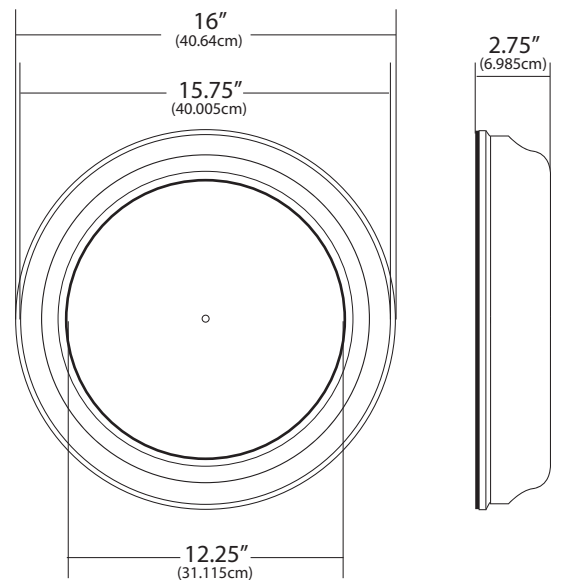
Rear Case Diameter: 16" (40.64cm)

Front Case Diameter: 15.75" (40.005cm)

Dial Graphics Diameter: 12.25" (31.115cm)

Edge Thickness: 2.75" (6.985cm)

Ceiling and Side Mount Dimensions: 3"H x 4.5"D (7.62cm H x 11.43cm D)



13" (33.02cm) and 16" (40.64cm) Rear View / Mount Specifications

