

The Leader in Accurate, Reliable Synchronised Time.



Standard Analogue Clocks offer the perfect solution for many new and retrofit applications. Our most economical selection are available in several different styles.



Features:

- Heavy Duty Construction
- Durable ABS Casing
- Polycarbonate Lens (shatter resistant)
- Battery (2 D-Cell) or Electric 240/24 VAC
- Automatically Adjusts for DST
- Maintenance Free

Clock Styles



13" (33.02cm) Double Sided Ceiling Mount
Part # 210011 - Battery



13" (33.02cm) Double Sided Wall Mount
Part # 210021 - Battery



13" (33.02cm)
Part # 210001 - Battery
Part # 312001 - Electric (240VAC)
Part # 311001 - Electric (24 VAC)

16" (40.64cm) shown above
Part # 220001 - Battery
Part # 322001 - Electric (240VAC)
Part # 321001 - Electric (24 VAC)



16" (40.64cm)
Part # 220001L - Battery



LCD Display
(Month, Date and Day)

Dial Options



Standard Arabic 12/60 **Part # SA60**



Classic Arabic **Part # CA00**



Standard Military 12/24 **Part # SM24**

Additional Custom Logo Designs Available

13" (33.02cm) Standard Clock Specifications

- Heavy Duty Construction
- Durable ABS Casing
- Polycarbonate Lens (shatter resistant)
- Battery (2 D-Cell) or Electric 240/24 VAC
- Battery Life Expectancy - 5 years

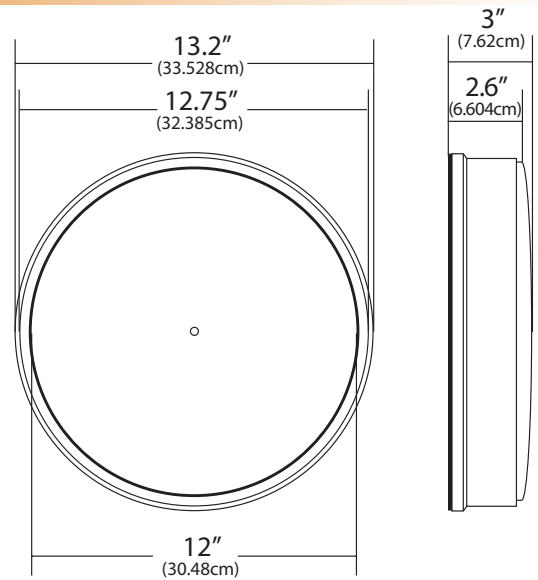
Rear Case Diameter: 13.2" (33.528cm)

Front Case Diameter: 12.75" (32.385cm)

Dial Graphics Diameter: 12" (30.48cm)

Edge Thickness: 2.6" (6.604cm)

Center Thickness: 3" (7.62cm)



16" (40.64cm) Standard Clock Specifications

- Heavy Duty Construction
- Durable ABS Casing
- Polycarbonate Lens (shatter resistant)
- Battery (2 D-Cell) or Electric 240/24 VAC
- Battery Life Expectancy - 5 years

Rear Case Diameter: 16" (40.64cm)

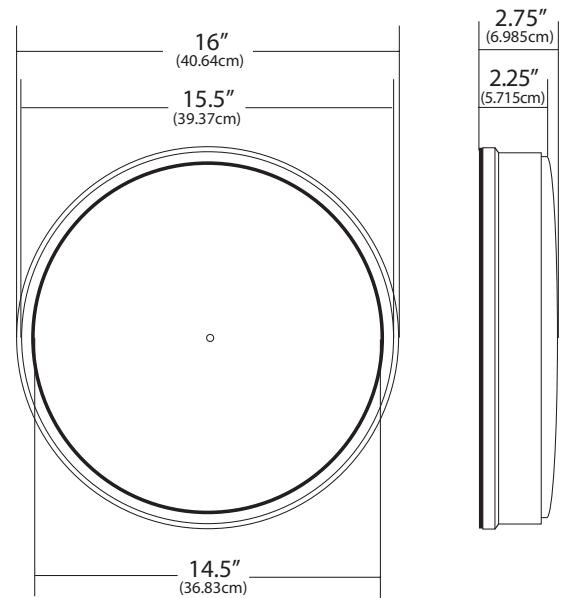
Front Case Diameter: 15.5" (39.37cm)

Dial Graphics Diameter: 14.5" (36.83cm)

Edge Thickness: 2.25" (5.715cm)

Center Thickness: 2.75" (6.985cm)

Ceiling and Side Mount Dimensions: 3" H x 4.5" D (3.62cm H x 11.43cm D)



13" (33.02cm) and 16" (40.64cm) Rear View

