

Synchronised Time & Communication Systems

Digital message boards are vital for communicating safety messages, announcements, and upcoming events throughout your school/campus, manufacturing plant, healthcare facility, or corporate building. The bright, tri-colour single line or double line LED's help you get your message across quickly and effectively.

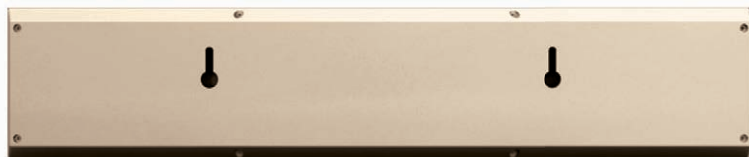
## Single Line Display

Part # 610001

FRONT



BACK



RIGHT



LEFT



## Features:

- Single or Double Line Display
- 10 Standard Choice Messages
- Customized Messages
- Individual or Group Messages
- Time/Date Display
- Tri-Colour LED (Red, Green, Orange)
- Adjustable Brightness
- Variable Scrolling Speed
- Unlimited Characters
- PC Based Software
- Highly Visible LED Display
- Automatically Adjusts for DST
- Maintenance Free

**Messaging Software:** Part # 610003

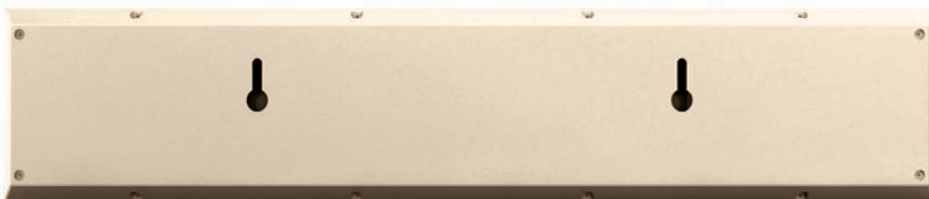
## Double Line Display

Part # 610002

FRONT



BACK



RIGHT



LEFT



# Digital Message Board Specifications

## Weight:

Single Line - 1.3 lbs (0.59 kg)  
Double Line - 4.2 lbs (1.91 kg)

## Message Board Sizes:

Single Line - 3.5"H x 15"W x 2"D (8.89cm H x 38.1cm W x 5.08cm H)  
Double Line - 6"H x 28"W x 2"D (15.24cm H x 71.12cm W x 5.08cm H)

## Power Supply:

100-240 VAC input, 5V 7.5A Power Adaptor.

## Operating Range:

(Temperature): 32° F-120° F (0° C - 49° C)

## Material (Frame and Lens Construction):

ABS Plastic Case/Acrylic Lens

## Viewing Distance

100 Feet (3,048cm)

## Data Form

Single Line - 7 character spaces - unlimited scrolling  
Double Line - 14 character spaces - unlimited scrolling

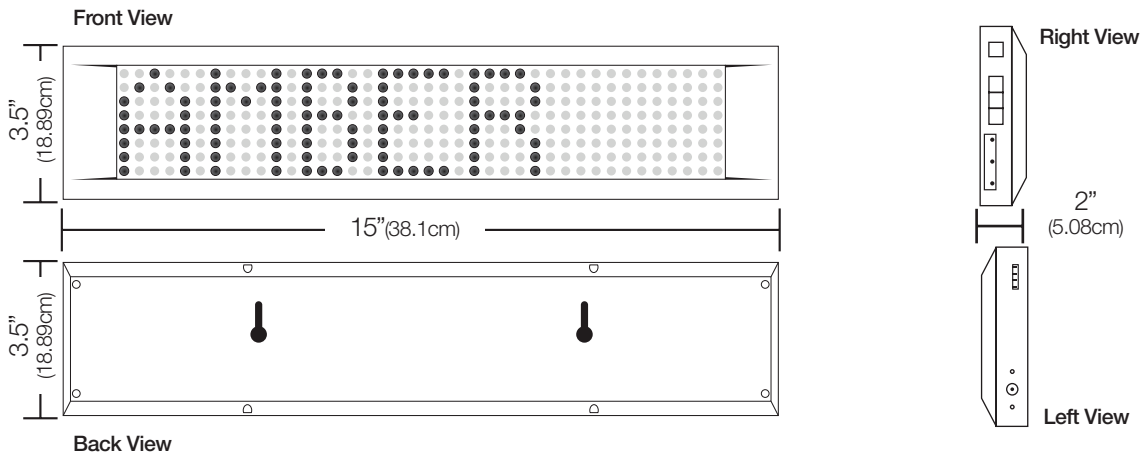
## LED Size and Colour:

2.5"H (6.35cm H) Tri-Colour LEDs Red/Green/Orange

## Data Baud Rate:

1200BPS

## Single Line



## Double Line

