



With an innovative design, these easy to install Wi-Fi LED Display Clocks, are viewable up to 200 feet away offering a high level of performance, quality, and reliability. The perfect solution for satisfying Digital Clock needs in all types of facilities.



Features:

- Highly Visible LED Display
- Adjustable Brightness (dimming)
- 12/24 hr. Display Format
- Schedule Count Down Events
- Automatically Adjusts for DST
- Managed through Sync Software
- Wi-Fi (IEEE 802.11 b/g/n)
- WEP, WPA-PSK, WPA2-PSK Security

Clock Styles

Single Sided LED Display with 2.5" Digits

4 Digit	6 Digit	Power	Description
**	632307W	100-240VAC	2.5" Red LED
**	632302W	100-240VAC	2.5" White LED

**Currently available as quoted per project. Contact Innovation for these and other display types and color options.



Single Sided LED Display with 4" Digits

4 Digit	6 Digit	Power	Description
642307W	**	100-240VAC	4" Red LED

**Currently available as quoted per project. Contact Innovation for these and other display types and color options.



Dual Sided Bracket for LED Digitals

For Hallways or large open areas select the appropriate bracket to mount two single sided clocks back to back.

Wall	Ceiling	Clock
632018	632017	2.5" x 4 & 6 Digit
632020	632019	4" x 4 Digit



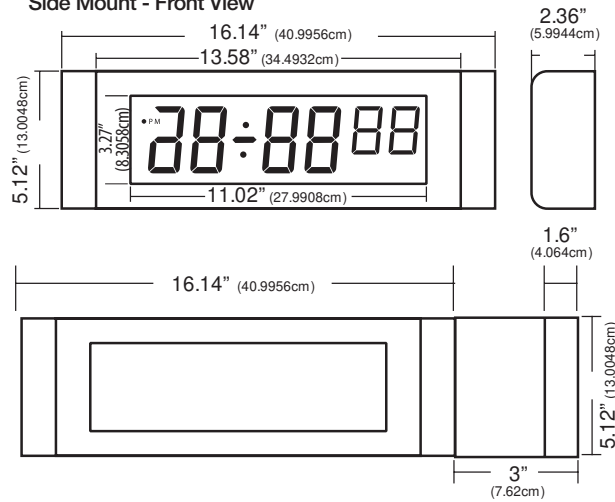
**Managed by Sync Software
Part # 7962-SOF**

Digital Display Clock Specifications

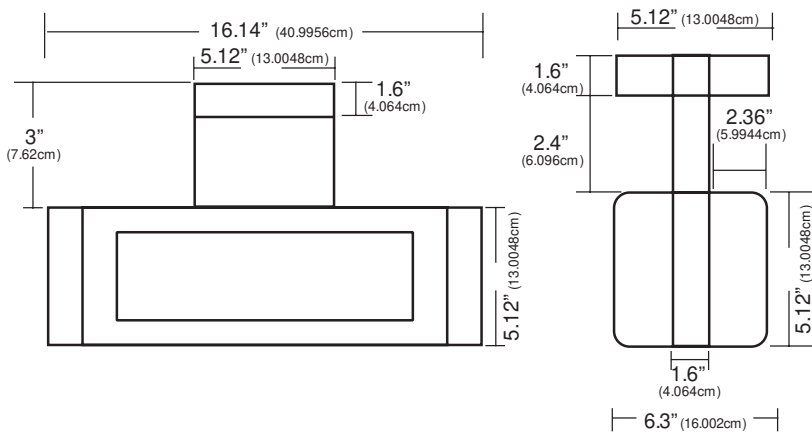
2.5" (6.35cm) 4 and 6 Digit LED Display

- Sleek, Contoured Style
- Highly Visible LED Display
- Alternating Time and Date
- 12/24 hr. Display Format
- Adjustable Brightness (dimming)
- Wi-Fi (IEEE 802.11 b/g/n)
- Schedule Count Down Events
- Operating Temperature Range: 32°–122° F/-10° C – 50° C
- Storage Temperature Range: 14°–140° F/-10° C – 60° C

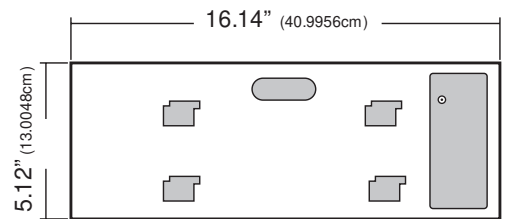
Side Mount - Front View



Ceiling Mount - Front View

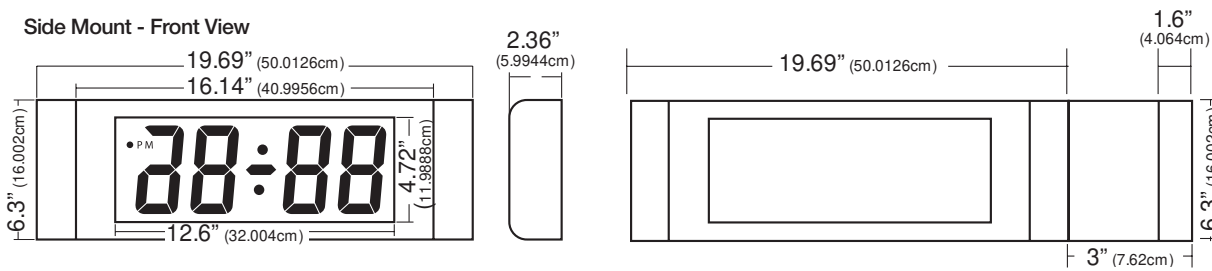


Back View

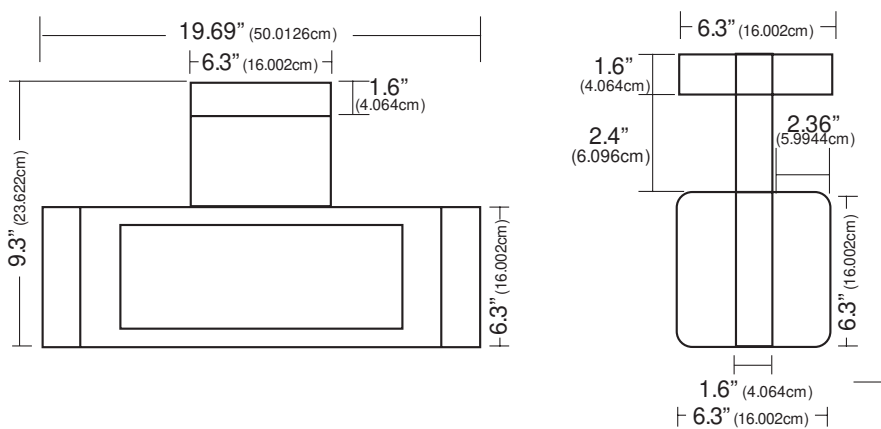


4" (10.16cm) 4 Digit LED Display

Side Mount - Front View



Ceiling Mount - Front View



Back View

