



Network Based Emergency Notification Switches provide unparalleled flexibility and control. With the availability of either Wi-Fi or PoE switches optimal placement is achieved at key locations throughout your facility. Network Based Software provides for easy control by any authorised personnel to define the purpose of the switch and the accompanying prerecorded message.



Features:

- Easy Mounting Options
- Lift Cover to Prevent Accidental Activation
- Power and Status LED
- Customizable Alerts and Events
- Integration with Wi-Fi and PoE Platform Products
- AC Power or Power over Ethernet

Key Benefits

Panic Buttons can be mounted virtually anywhere, thereby, giving full discretion on placement.

Customisation Permits Preset Alarm Configuration so that you can illicit the correct response to the Emergency.

Integration with PoE Speakers and Message Boards to deliver Notifications via Audio and Visual.

Network Based Windows Software allowing for easy Control, Monitoring and Periodic Testing.

Part Numbers:

Single Emergency Notification Switch
Part # 600001

Triple Emergency Notification Switch
Part # 600003



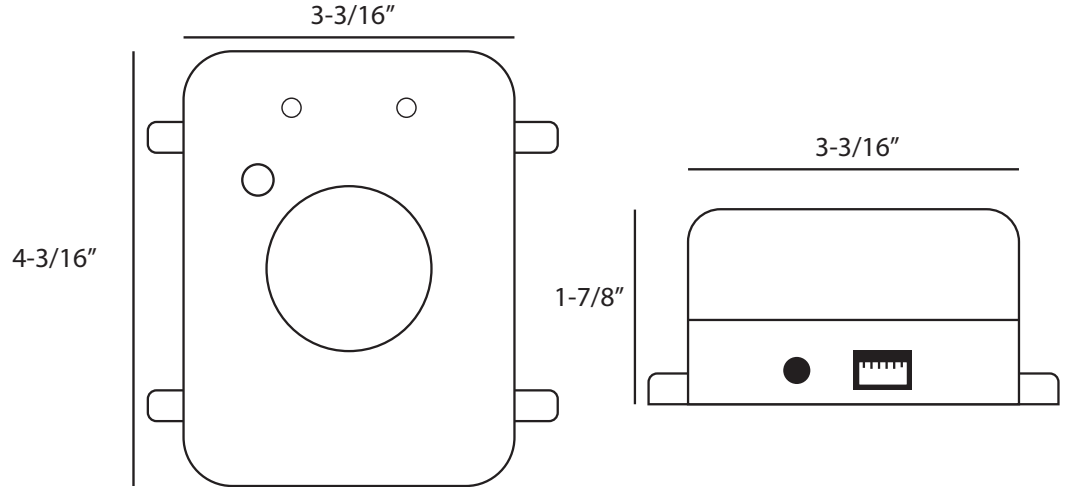
LockDown
Shelter
Emergency
Evacuate
Hazmat
Biohazard

One Button Panic Button

Dimensions: 4-3/16" L x 3-3/16" W x 1-7/8" H
(10.63 cm x 8.09 x 4.76 cm)

Weight: 1 lb

Power Supply: AC Power or POE



Three Button Panic Button

Dimensions: 7-5/16" L x 3-3/16" W x 1-7/8" D
(18.57 cm x 8.09 x 4.76 cm)

Weight: 2.0lbs

Power Supply: AC Power or POE

