



*Add decorative style within your facility. Solid Wood Clocks are the perfect look for your Executive/Administration offices and conference rooms. Offered in rich looking Mahogany, Light Walnut, and complimented with Arabic or Roman dials.*



### Features:

- Solid Hardwood Construction
- Glass Lens
- Elegant Appearance
- Battery Operated (2D-Cell)
- Automatically Adjusts for DST
- Maintenance Free

## Clock Styles



**16" (40.64cm) Light Walnut**  
Part # 420104 - Battery



**16" (40.64cm) Mahogany**  
Part # 420103 – (Discontinued 01/2018)



**13" (33.02cm) Light Walnut**  
Part # 410104 - Battery



**13" (33.02cm) Mahogany**  
Part # 410103 –  
(Discontinued 01/2018)



**13" (33.02cm)**  
Side View

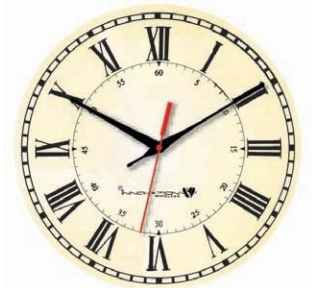
## Dial Options



Standard Arabic 12/60 Part # SA60



Antique Arabic 12/60 Part # AA60



Antique Roman 12/60 Part # AR60

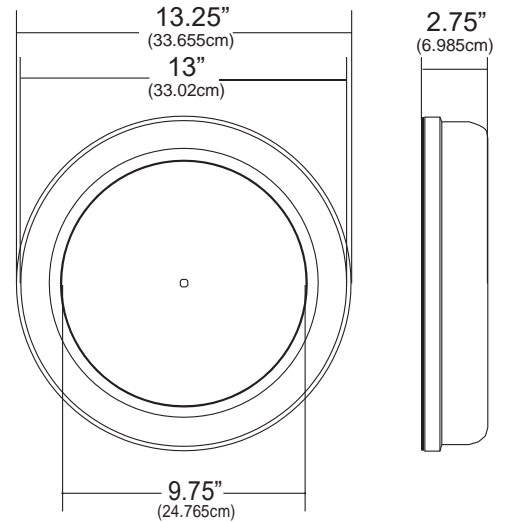
Additional Custom Logo Designs Available

## 13" (33.02cm) Wood Clock Specifications

### • Solid Hardwood Construction

- Glass Lens
- Elegant Appearance
- Battery Operated (2 D-Cell)
- Battery Life Expectancy - 5 years

Rear Case Diameter: 13.25" (33.655cm)  
Front Case Diameter: 13" (33.02cm)  
Dial Graphics Diameter: 9.75" (24.765cm)  
Edge Thickness: 2.75" (6.985cm)

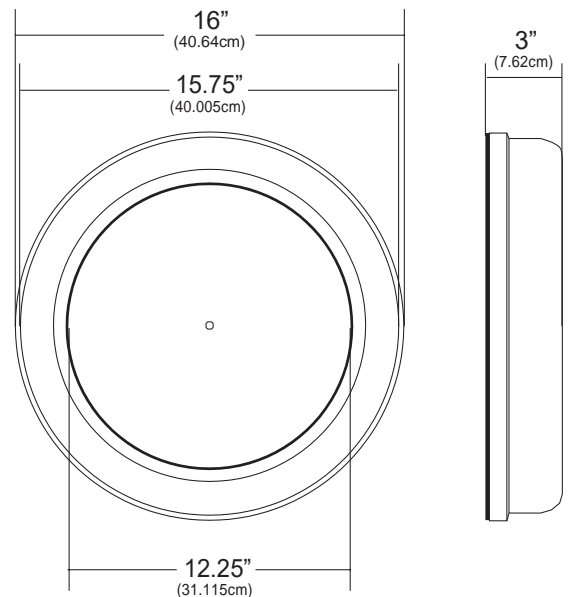


## 16" (40.64cm) Wood Clock Specifications

### • Solid Hardwood Construction

- Glass Lens
- Elegant Appearance
- Battery Operated (2 D-Cell)
- Battery Life Expectancy - 5 years

Rear Case Diameter: 16" (40.64cm)  
Front Case Diameter: 15.75" (40.005cm)  
Dial Graphics Diameter: 12.25" (31.115cm)  
Edge Thickness: 3" (7.62cm)



## 13" (33.02cm) and 16" (40.64cm) Rear View

